



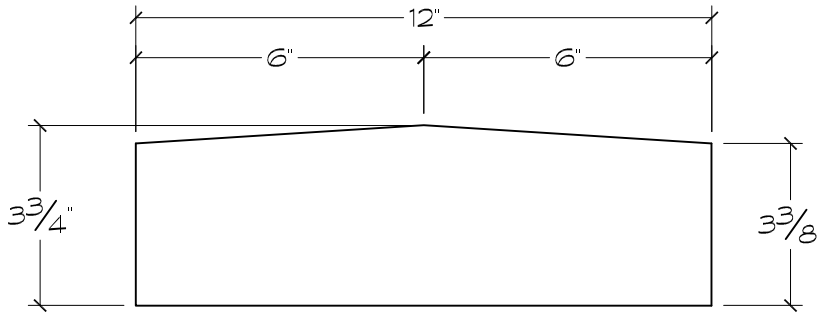
Harvey Cement Products, Inc.

Since 1947

16030 Park Avenue, Harvey, IL 60426

Ph: 708.333.1900 F: 708.333.1910

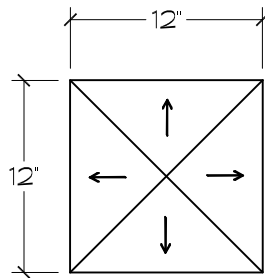
www.harveycement.com



CROSS SECTION

① **PROFILE CK**
 ARCH REF:
 SCALE: 3"=1'-0"

TOP VIEW



DRIP EDGE - OPTIONAL

Profile ID

CK

SUGGESTED USE

Sill	
Transition Band	
Coping	
Cap	X
Field / Band	
Cornice	

**TYPE / SIZE
 AVAILABILITY**

TYPE	LENGTH(S)
Cap	12"